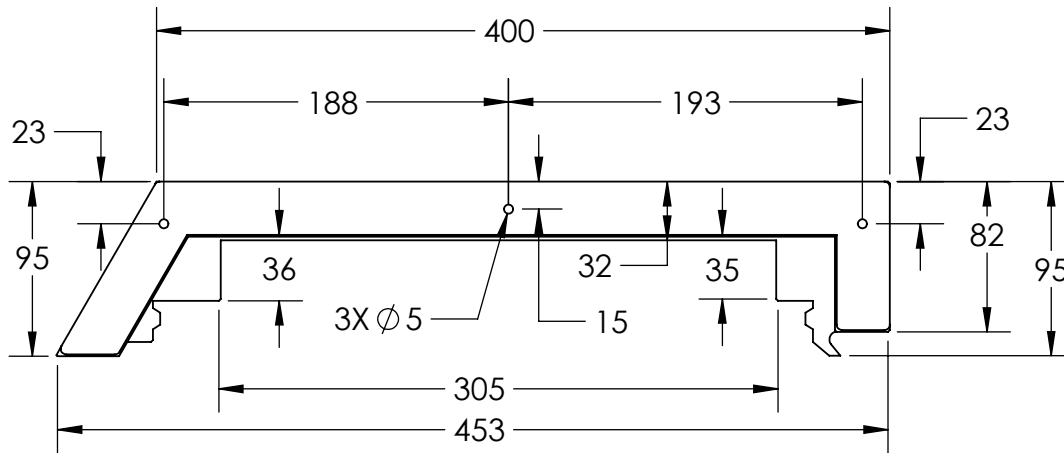
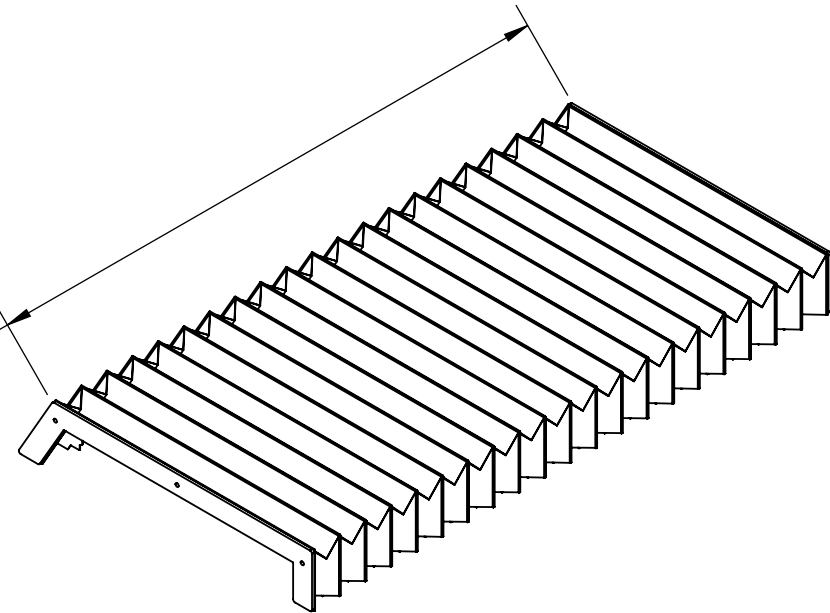


OEM: 10066907, 10151191



OPEN LENGTH: 2100 MM
CLOSED LENGTH: 160 MM



THIS DOCUMENT IS THE PROPERTY OF RICHARDSON ELECTRONICS, LTD. AND SHALL NOT BE COPIED, REPRODUCED, USED IN THE MANUFACTURE OR SALE OF APPARATUS OR DISCLOSED TO OTHERS WITHOUT PERMISSION.

Richardson Electronics, Ltd.
40W267 Keslinger Road
LaFox, IL 60147 USA

rellaser.com | laser@rell.com
1.800.348.5580 (USA & Canada)
1.630.208.2200 (International)